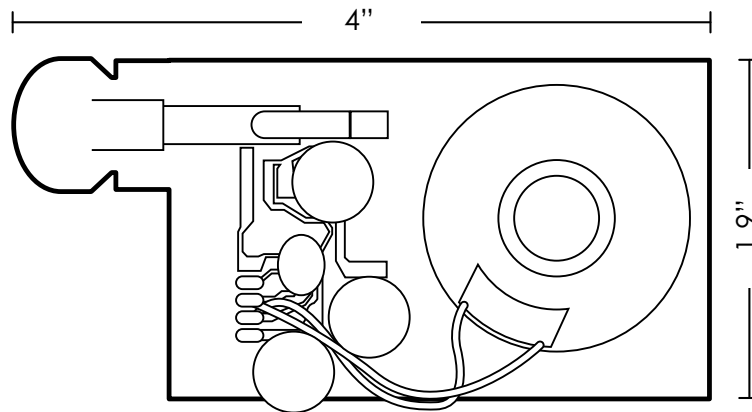


Card Module Sound Unit

Rocket Production Technical Specification Sheet

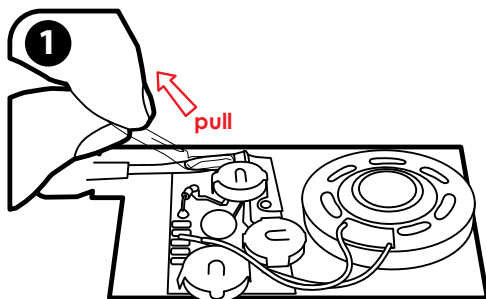


Standard product shown here at actual size

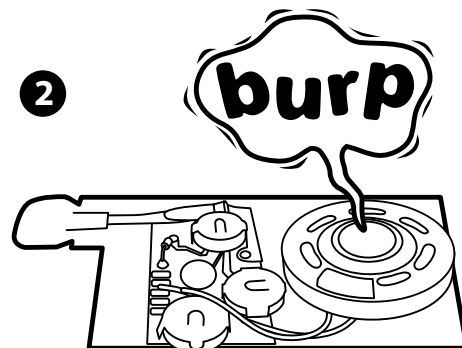
General product information	<ul style="list-style-type: none">• Dimensions - Length: 4" (101mm) x Height: 1.9" (48mm) x Depth: 0.2" (5mm)• Sound modules can be mounted either way up - but the recognized standard is with the unit to the right of the fold on a portrait card.
Unit Lifespan (approximate)	<ul style="list-style-type: none">• With a 10 second sound file, the product will play an estimated 250 - 350 times
Receiving the product	<ul style="list-style-type: none">• External packing: this will vary depending on the volume ordered (please request packing information on placement of order)• Group internal packing: 5 units will be supplied on a strip on backing paper, with a 10 second sound file.

Activation and fitting

When handling a strip of sound modules, activate one at a time when installing to ensure against installation of a faulty module.



Test the sound module by removing the plastic isolator over the tong switch as indicated.

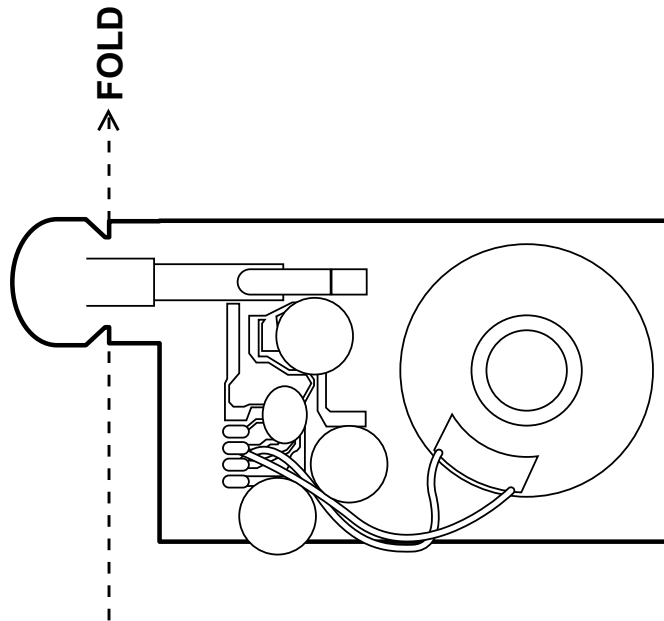


The sound will play automatically. Replace this plastic isolator for the purposes of installation - see steps 3 & 4.

Card Module Sound Unit

Rocket Production Technical Specification Sheet

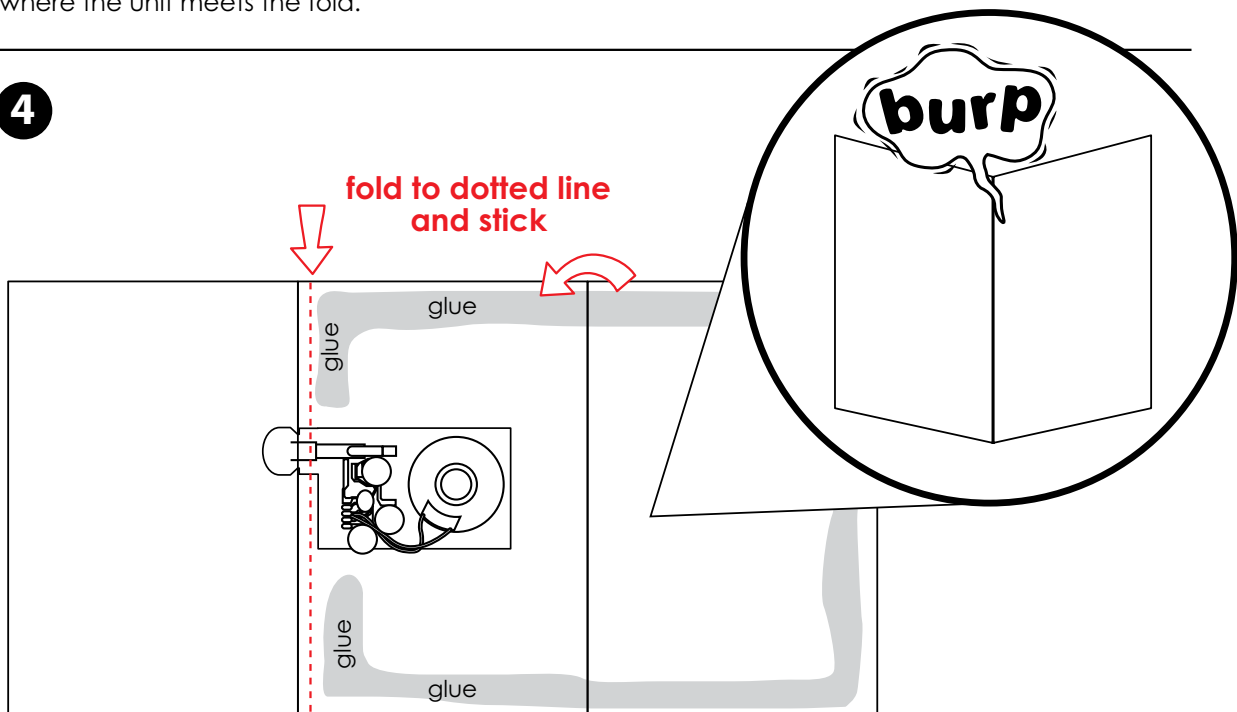
3



Peel the module from the backing paper and install as per illustration, paying particular attention that the centre fold of your card aligns with the notches in the sound unit.

Push the unit down firmly in all areas to insure good adhesion to your card, especially around where the unit meets the fold.

4



You can now fold and stick down the surrounding card, thus encapsulating the sound unit within, hiding it from view.

Remove plastic isolator again, as in step 1. **Your card is now ready to use.**

